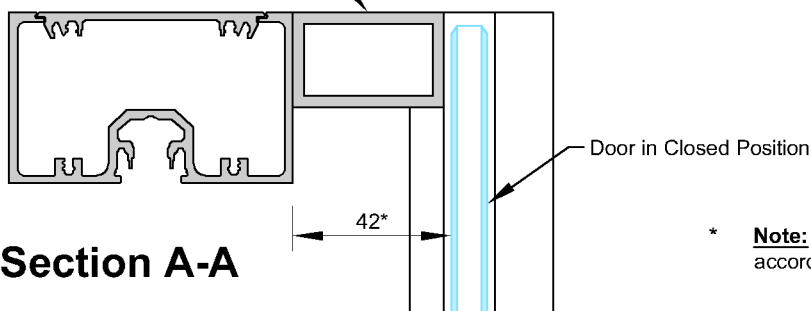


### Glass Drilling Detail

Box Section or Channel cut to suit



### Section A-A

\* **Note:** Measurement varies according to glass thickness.

**NOTES:**

- \* Do not scale
- \* Unless otherwise stated all dimensions are in millimeters
- \* FFL - Finished Floor Level (including carpets etc.)



TITLE  
**TF340  
FRAMELESS GLASS DOOR  
ON ALUMINIUM FRAME**

SCALE  
**A4 @ 1 : 2**

DRG. NO.  
**CDS-TF340 Frameless Framed**